

## AFTERCARE INSTRUCTIONS

Excessive exposure to water will deteriorate the furniture. Wipe away any water splashes or condensation after use.

All bathrooms should be well ventilated, if needed, with a suitable extractor fan.

Clean with a soft damp cloth only.

Use a wax free polish if one must be used.

For removal of lime scale deposits use a suitable cleaner.

## CUSTOMER SERVICE

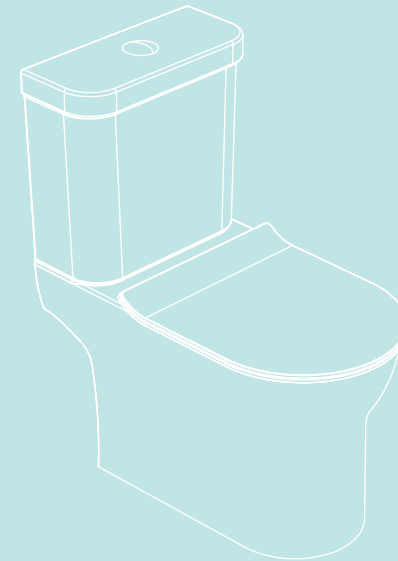
t: +44(0)208 686 5100  
e: [technical@saneux.com](mailto:technical@saneux.com)

Iain Stewart Centre, Beehive  
Ring Road, Gatwick, RH6 0PB

[www.saneux.com](http://www.saneux.com)

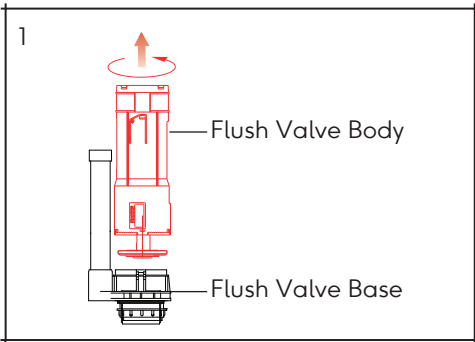
# AIR

## INSTALLATION INSTRUCTIONS



AIRCC77

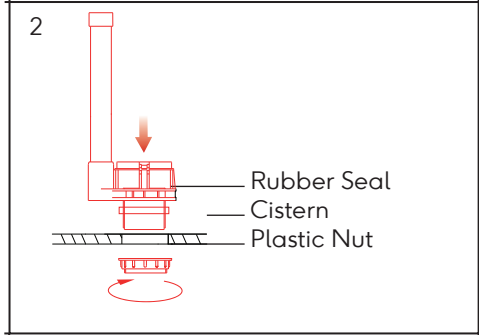
saneux



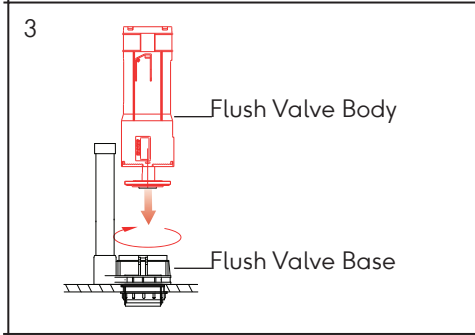
Prior to installation flush out any impurities in the cistern.

1. Turn the flush valve body anti-clockwise to part it from the flush valve base.

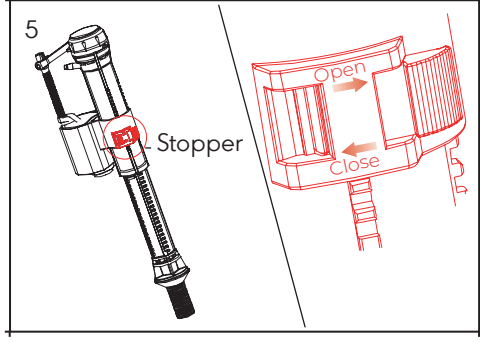
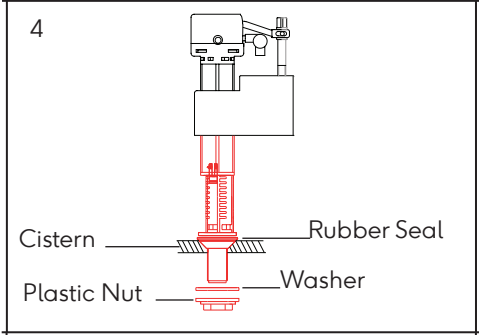
2. Install the flush valve base and seal with the fixing nut provided.



3. Insert the flush valve body to the flush valve base, turning it clockwise until it 'clicks'.

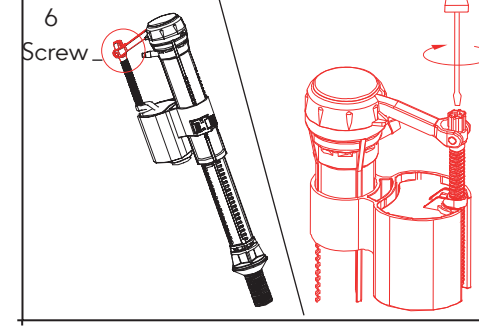
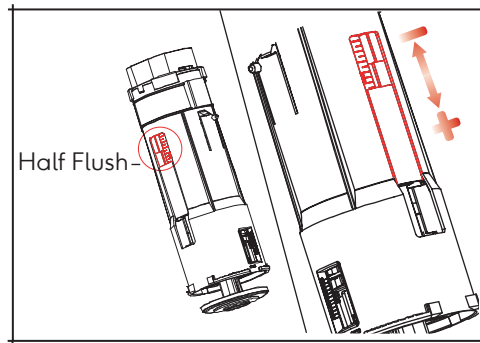


4. Install the fill valve to the cistern using the rubber seal and plastic nut. Ensure the float cup has room to move up and down freely. The fill valve comes factory set to a height suitable for the cistern.

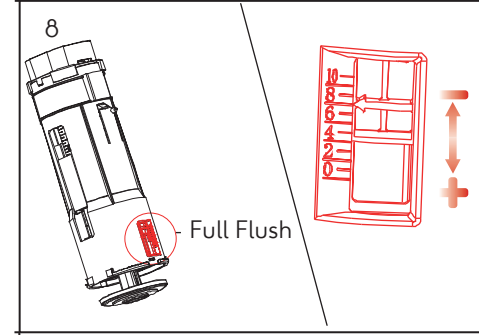


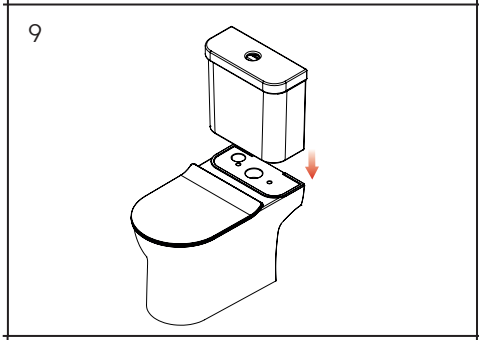
6. The float can also be adjusted by turning the screw. Clockwise moves the float up and anticlockwise moves the float down.

5. If the fill valve requires adjustment, open the stopper to allow the float to slide up and down. Close the stopper once the float is in the right position.

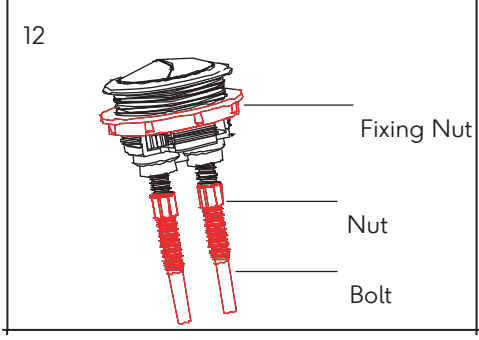


7 & 8. If the flush valve needs adjustment simply increase or decrease the full or half flush numbers.



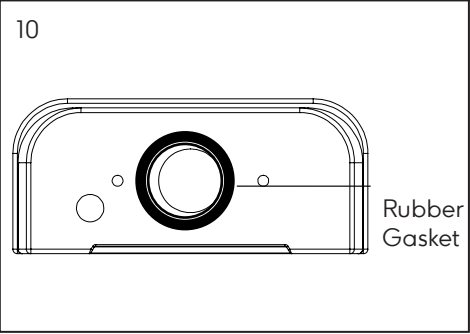


9. Once the flush valve and fill valve are installed and (if necessary) correctly adjusted the cistern can be fitted to the pan.

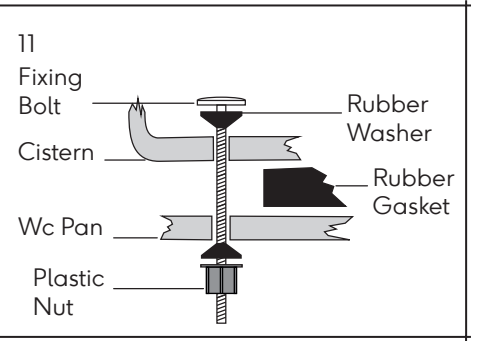
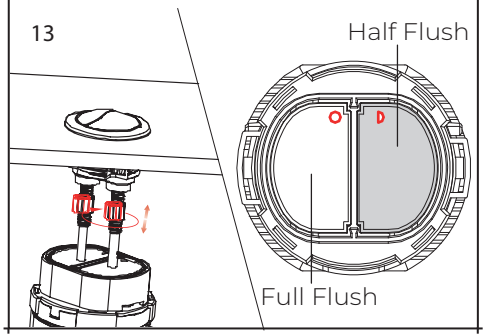


12. Fit the flush button to the cistern lid using the plastic fixing nut. Make sure the rods make contact with the flush valve. The rod length can be adjusted by turning the nuts clockwise and anticlockwise.

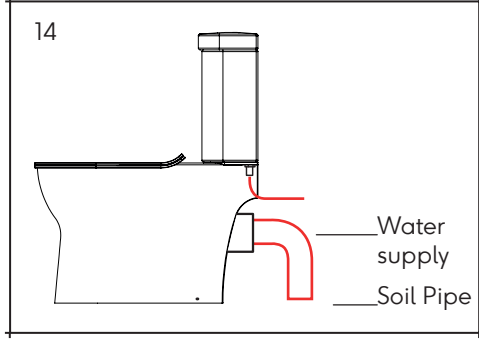
10. Fit the rubber gasket around the flush valve outlet on the underside of the cistern. The gasket should be correctly aligned with the thread of the flush valve to ensure there is no leakage.



13. Make sure that the flush button correctly matches the full flush and half flush on the flush valve.



11. Insert the cistern fittings arranging the components correctly. Make sure that the cistern is placed correctly on the pan and firmly tighten the plastic nut.



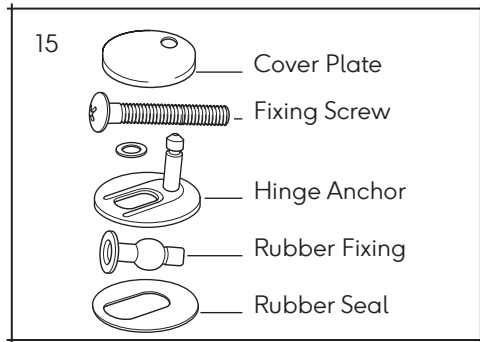
14. Connect the soil pipe and ensure it is adequately sealed around the pan outlet to prevent leakage.

Do not overtighten the supply to the inlet valve as this could damage the inlet valve causing leakage.

After connecting the water supply to the inlet valve check that all components do not touch the internal walls of the cistern and that the float can freely move up and down.

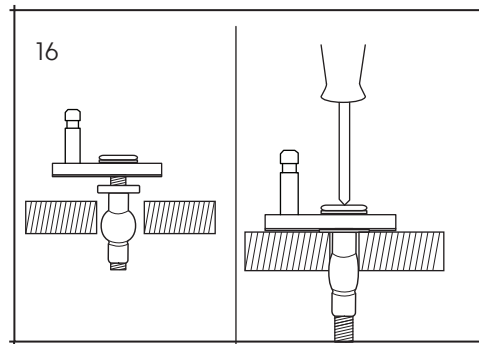
Check all connections are secure and a soil pipe is correctly fitted before testing the flush.

## INSTALLING THE SEAT

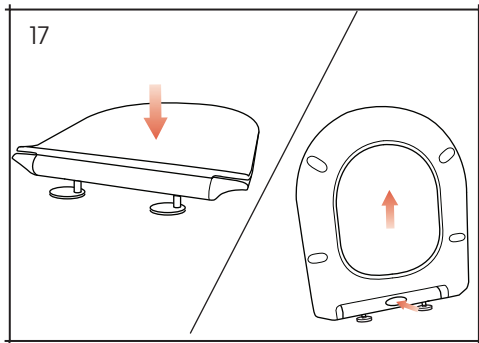


15. Make sure all the components are present.

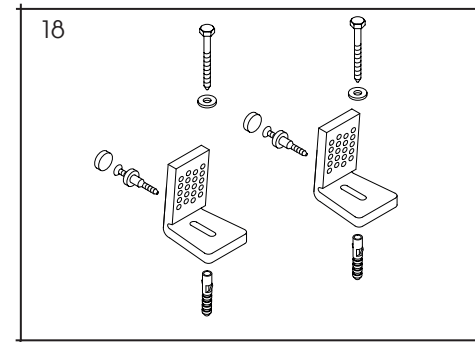
16. Push the rubber fixing through the seat fixing holes in the pan. Push the fixing screw through the hinge anchor ensuring all the components are in the correct order. Tighten the screw moderately with a screw driver to secure the hinge anchor in place.



17. Align and locate the seat hinge on the hinge anchors and press down until the seat is parallel with the pan. Adjust the position of the seat so that it lines up with the edges of the pan. When you are satisfied that the seat is in the correct position, remove the seat from the hinge anchors by pressing the middle button on the seat hinge. Tighten the screws fully and place the stainless steel cover plates on the hinge anchors. From the upright position, allow the seat to close on its own and check that the soft closing action is working correctly.



## FIXING THE PAN



18. Make sure all the components are present.

19. With the pan in the desired location, mark the position of the holes on the floor. Measure the ceramic thickness on of the pan and mark the approximate location of the floor fixings. Drill a hole on the ground and locate the plugs so that they are flush with the ground surface. Tighten the floor fixings.

